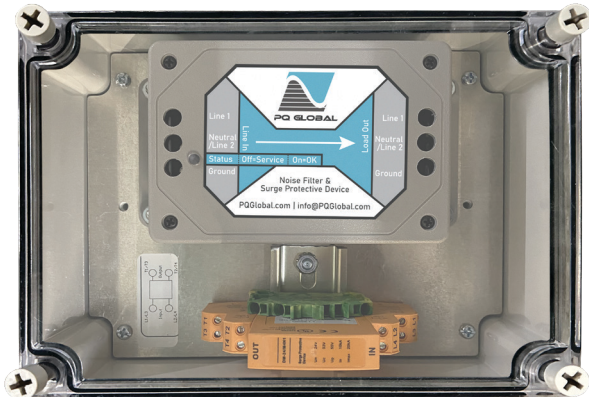


T2-FD SLAC - AC Series Surge Filter with Data/Signal Line Surge Protection

T2-FDSLAC Surge Filter & Data/Signal Protection 25kA/Mode, 50kA/Phase



DIN Mount Dataline/Signal-line SPD Base and Surge Module



This is the T2-FD SLAC AC Series Surge Filter with a Data/Signal-Line surge protection device. These protective devices are mounted together inside one enclosure, offering power and communication protection in one package.

The AC Series Surge Filter is available in 120V, 240V, or 277V configurations and with 5A, 10A, 15A, 20A, or 30 Amp ratings. The Data/Signal Line Protection is available as 1-Pair (two lines) or 2-Pair (4 lines) and in 5V, 12V, 24V, or 48V DC configurations. The Dataline component is DIN mounted inside of the enclosure adjacent to the surge filter.

The terminal blocks on this model are internal, offering a finger-safe installation and reduction of electrical exposure to unintended contact.

The T2 Filter offers status indication with a single LED; when illuminated, it indicates the unit is operational.

The AC SPD has a 50kA per Phase surge current capacity.

This filter has a multi-stage hybrid design. The noise mitigation and surge protective stages work in a coordinated array that allows disruptive impulses that would bypass a standard clamping device to be attenuated.

The Dataline protector has a removable surge module, leaving the base, wiring, and data/signal flow uninterrupted during a module change. The data lines are connected by screw terminals.

The Dataline SPD has a three-stage protection circuit using gas discharge tubes and diodes to protect from surges and mitigate transients. This device is suitable for protecting data or signal transmissions from transients, voltage spikes, and surges that may travel through communication lines.

Key Specs - Filter:

- **Operating Voltage - Filter:** 120, 240, 277 VAC
- **Operating Current - Filter:** 5, 10, 15, 20, 30 Amps
- **EMI Attenuation:** Up to 70dB from 25kHz to 2MegHz
- **Surge Capacity:** 25kA/mode, 50kA/Phase
- **Finger Safe Internal Terminal Blocks**
- **Connection:** Series; Terminal Block

Key Specs - Dataline:

- **Operating Voltage - Dataline:** 5V, 12V, 24V, 48V DC
- **Operating Current - Dataline:** 1 Amp
- **Three-stage protection circuit**
- **Modular Design - Effortless module changes**
- **35mm DIN Rail Mount - With grounding**
- **UL497b Listed, RS485 Compliant**

Rev 25.09.23-1.3

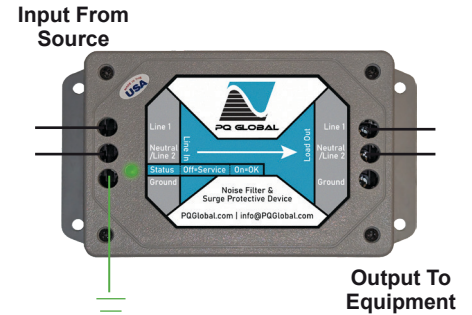


T2-FD SLAC - AC Series Surge Filter with Data/Signal Line Surge Protection

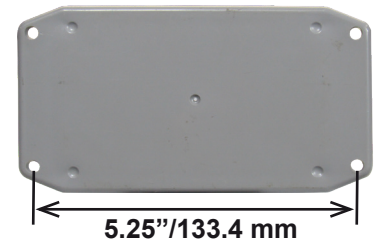
AC Noise Filter & Surge Protective Device

General Technical Specifications	
Operating Voltage	120, 240, 277 VAC
Maximum Operating Current	5A, 10A, 15A, 20A & 30A
Maximum Continuous Operating Voltage (MCOV)	120V, 150 VAC; 125% 240V, 320 VAC; 115% 277V, 320 VAC; 115%
Peak Surge Current Rating	25 kA/Mode, 50 kA/Phase
Connection Type	Series, Input/Output; 18-10AWG Terminal Connections
Clamping Voltage	340 VAC
Operating Frequency Range	47 - 63 Hz
EMI Attenuation	Up to 70 dB typical from 25kHz to 2MegHz
Protection Modes	All Connected Modes: L-N, L-G, N-G
Technology	Hybrid technology featuring thermally protected MOVs, Inductors and Capacitors
Standards: Designed and tested to:	UL 1449 4th Edition Recognized SPD, Type 2 Component Assembly, CSA 22.2, UL 1283 Rec. Filter
Status Indication	Green LED
Dimensions (in/mm)	1.875"(H) x 3.25" (W) x 5.75" (L) (47.6 x 82.6 x 146.1 mm)
Weight (lb/kg)	12 oz (.34 kg)
Operating Temperature	-40°C to +85°C
Operating Humidity	0% to 95% non-condensing
Warranty	5 Years

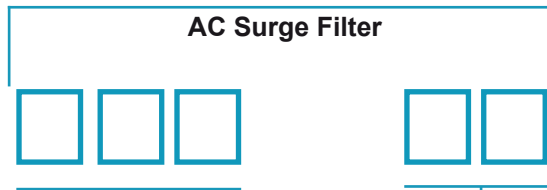
Wiring Connections



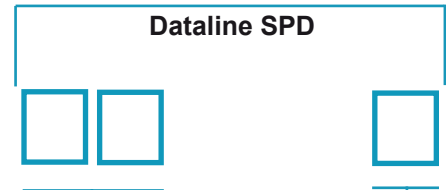
Mounting



AC Surge Filter



Dataline SPD



T2-FD



FD - Filter & Data

Voltage & Phase Configuration Code

120 = 120V Single Phase (2W+G)

240 = 240V Single Phase (2W+G)

Load Capacity

05 = 5 Amps

10 = 10 Amps

15 = 15 Amps

20 = 20 Amps

30 = 30 Amps

Voltage Configuration Code

05 = 5V DC

12 = 12V DC

24 = 24V DC

48 = 48V DC

of Pairs

1 = 1-Pair

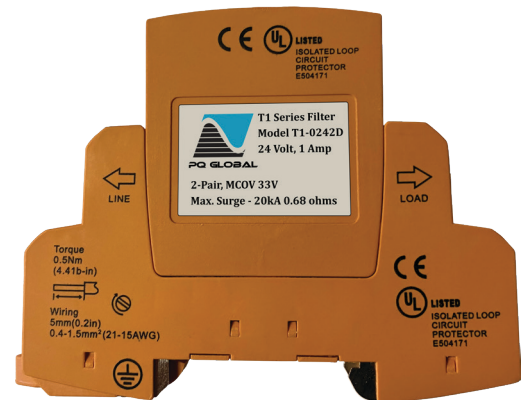
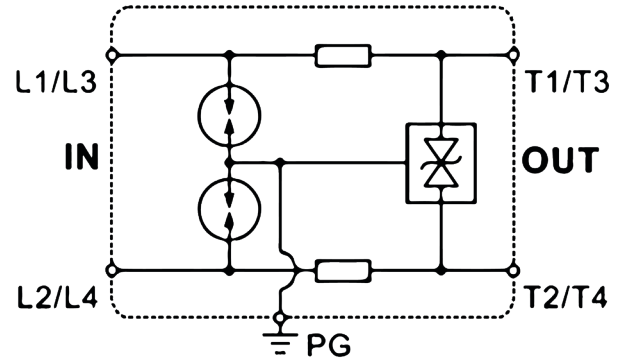
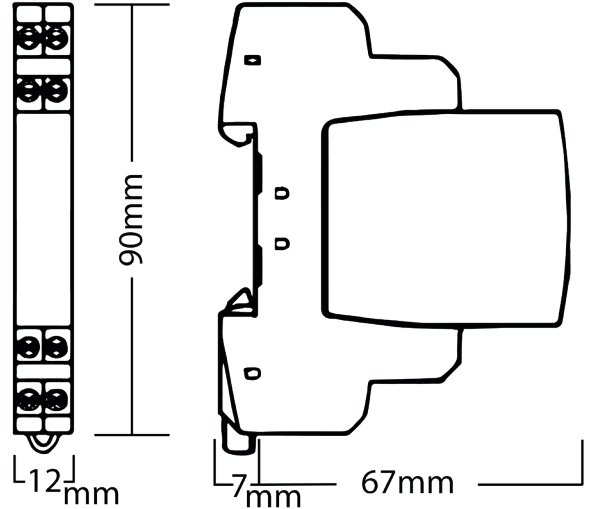
2 = 2-Pair



T2-FD SLAC - AC Series Surge Filter with Data/Signal Line Surge Protection

DIN Mount Dataline/Signal-line SPD

General Technical Specifications	
Connection Type	Series
Protection Line	1 pair (2 Lines) or 2 pairs (4 Lines)
Series Impedance per line	0.68 Ohm
Nominal Voltage	5V, 12V, 24V, 48V
Lightning Impulse Current (10/350µs) per line	2.5kA
Maximum Continuous Operating Voltage (VDC/VAC)	5V, 6 / 4.2; 12V, 15 / 10.6; 24V, 33 / 23.3; 48V, 54 / 38.1
Maximum Discharge current (8/20µs) per line	20kA
Protection Modes	All Connected Modes: L-L, L-PG
Cutoff Frequency	100 MHz
C2 Nominal discharge current(8/20µs) per line	10kA
Nominal Current	1 Amp
Connection	Screw Terminals, Ground connection through DIN
C2 Voltage Protection L-L & L-PG 8/20µs	5V: ≤ 30 12V: ≤ 45 24V: ≤ 55 48V: ≤ 100
C3 Voltage Protection L-L & L-PG 1KV/µs	5V: ≤ 24 12V: ≤ 38 24V: ≤ 48 48V: ≤ 75
Enclosure	Thermoplastic, UL49 V-0 Rated
Standard Compliance	UL497b; IEC 61643-21:2012
Response Time	<0.5 nanoseconds
Operating Temperature	-40°C to +85°C
Mounting	35mm DIN-rail
Weight	0.14 lbs
Size: in/(mm)	2.9" x 3.5" x 0.47" / (74 x 90 x 12) (H x W x D)
Warranty	1 Year



Rev 25.09.23-1.3

