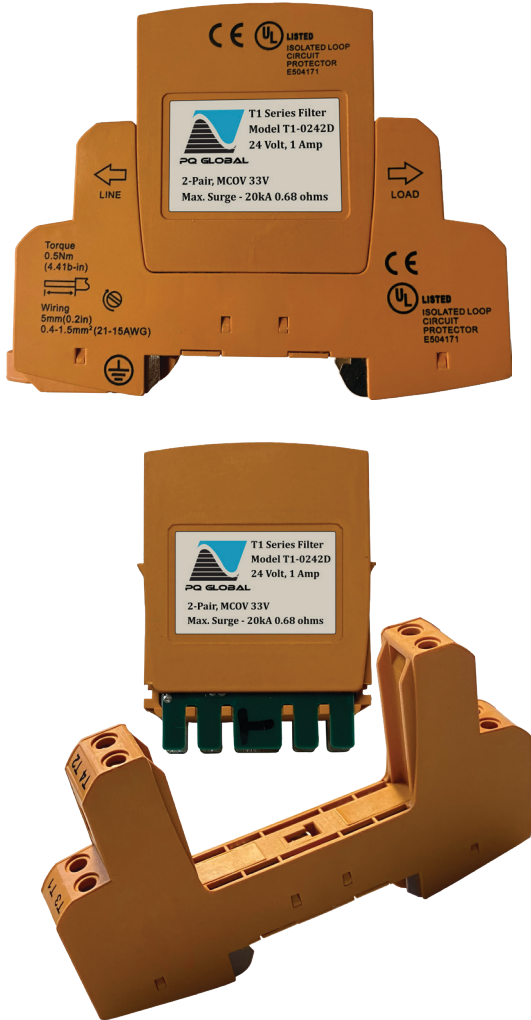


T1 2-Pair Dataline Surge Protective Device Modular Pluggable DIN

DIN Mount Dataline SPD Base and Surge Module



This is the T1 2-Pair Dataline Surge Protective Device.

The T1 2-Pair (4-Line) Dataline Protector is a surge protection device available in 5V, 12V, 24V, and 48V configurations. Its modular design allows modules to be exchanged without the need for removal of the base and without interruption of the signal transmission. This module model is for two pairs, or four lines, with a common reference potential in the system. It is suitable for use in ANSI/IEEE C62.41 Category B or C locations, as well as upstream directly at or near the protected device.

This unit is designed for mounting on a 35mm DIN rail. The base uses screw terminals to secure each wire on the load and line sides.

It has a three-stage protection circuit using gas discharge tubes and diodes to protect from surges and mitigate transients. Each unit has a 1-year warranty.

This device is suitable for protecting data or signal transmissions from transients, voltage spikes, and surges that may travel through communication lines. Sensitive equipment on data or signal lines can be easily disrupted and damaged from transients without a device to divert excess energy to ground.

This is a UL497b listed surge suppressor. Suitable for use from 0-20mA, 4-20mA current loops, TTY 4-20mA, TTY, TTL, V24 RS232C, and high-frequency transmission systems

RS485 surge protection, suitable to use for 4-20 mA current loops, analog/digital communication, RS485, RS422 (V11) interface, high-frequency bus system and two wires video transmission systems.

This SPD has screw terminal connections, and ground through DIN.

Key Specs:

- **Operating Voltage:** 5V, 12V, 24V, or 48V DC
- **Operating Current:** 1 Amp
- **UL497 Compliant**
- **IEC61643-21:2012 cat D1/C1/C2/C3 Compliant**
- **4-20mA RS485/RS232/Modbus Signal Input Surge Protection**
- **Connection:** Series; Screw Terminals

Features:

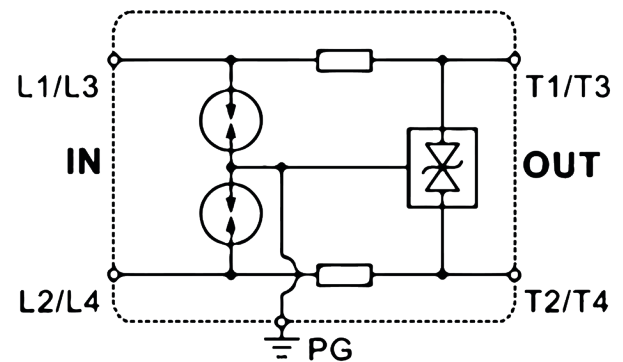
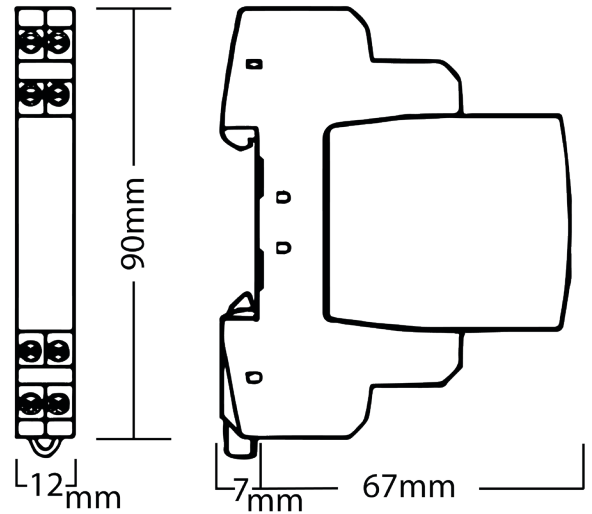
- **DIN Rail Mountable Base** with grounding potential
- **Modular Design** - Modules can be exchanged without removing the base or disrupting signals
- **Pluggable Surge Protection**
- **Three-Stage Protection Circuit**
- **1 year warranty**

Rev 25.09.21-1.6



T1 2-Pair Dataline Surge Protective Device Modular Pluggable DIN

General Technical Specifications	
Connection Type	Series
Protection Line	2 pairs (4 Lines)
Series Impedance per line	0.68 Ohm
Nominal Voltage	5V, 12V, 24V, 48V
Lightning Impulse Current (10/350µs) per line	2.5kA
Maximum Continuous Operating Voltage (VDC/VAC)	5V, 6 / 4.2; 12V, 15 / 10.6; 24V, 33 / 23.3; 48V, 54 / 38.1
Maximum Discharge current (8/20µs) per line	20kA
Protection Modes	All Connected Modes: L-L, L-PG
Cutoff Frequency	100 MHz
C2 Nominal discharge current(8/20µs) per line	10kA
Nominal Current	1 Amp
Connection	Screw Terminals, Ground connection through DIN
C2 Voltage Protection L-L & L-PG 8/20µs	5V: ≤ 30 12V: ≤ 45 24V: ≤ 55 48V: ≤ 100
C3 Voltage Protection L-L & L-PG 1KV/µs	5V: ≤ 24 12V: ≤ 38 24V: ≤ 48 48V: ≤ 75
Enclosure	Thermoplastic, UL49 V-0 Rated
Standard Compliance	UL497b; IEC 61643-21:2012
Response Time	<0.5 nanoseconds
Operating Temperature	-40°C to +85°C
Mounting	35mm DIN-rail
Weight	0.14 lbs
Size: in/(mm)	2.9" x 3.5" x 0.47" /(74 x 90 x 12) (H x W x D)
Warranty	1 Year



T1



Voltage Configuration Code

005 = 5V DC
012 = 12V DC
024 = 24V DC
048 = 48V DC



of Pairs

1 = 1-Pair
2 = 2-Pair



Mount

D - DIN

